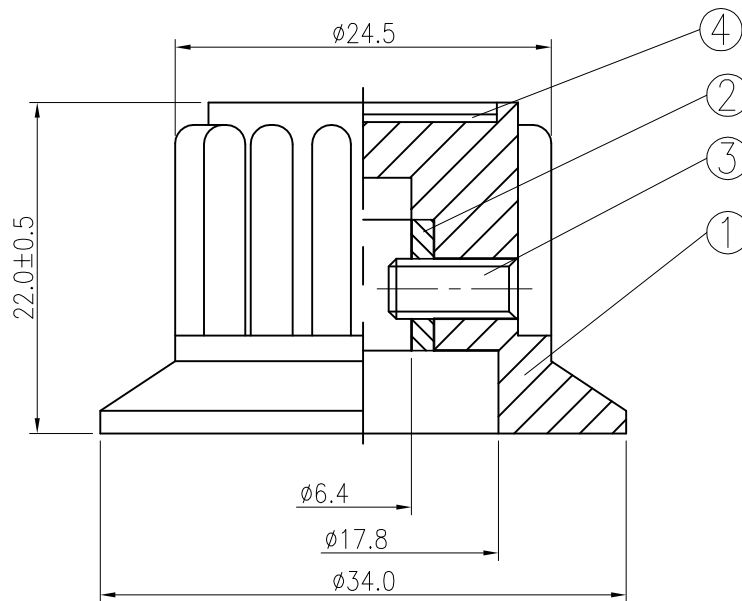
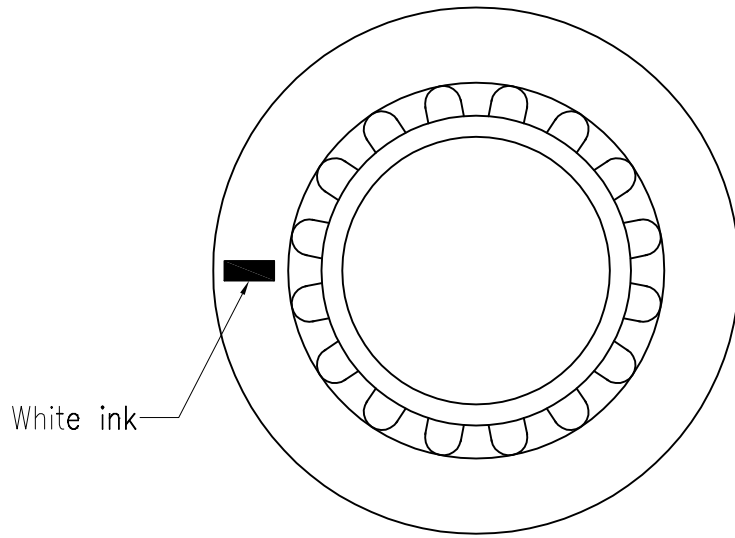


Date	Name	Description	No.
			△
			△



Tolerances $\pm 0.3\text{mm}$ Unless Otherwise Specified

4	Aluminum plate	1	Al				
3	Screw	1	Brass alloy	M4*P0.7*8L			
2	Metal insert	1	Zinc Alloy	$\phi 9.2*8L*\phi 6.4$			
1	Housing	1	PF				
No	Description	Q'ty	Material	Specification	Finish	Remark	
Drawn	Checked	Approved	SCI BOM No.		Model Name	CONTROL KNOBS	
袁浩徐			Customer No.	112-PN-27/6.4/34MMD	Model No.	PN-27	Rev.
03/05/'20			Unit	mm	Shin Chin Industrial Co., Ltd.		X0